

# Phase I Enhanced Vapor Recovery System

## AI004EVR-210 Series

Model No.	Description	Rim Diameter	Lid Weight	Total Weight	Drain Type
AI004EVR-210A	Direct Bury, 4", 6 gallons	17.8"	20 lbs.	95 lbs.	Pull/Push
AI004EVR-210AB	Direct Bury, 4" BSPT, 6 gallons	17.8"	20 lbs.	95 lbs.	Pull/Push
AI004EVR-211A	Direct Bury, 4", 6 gallons	17.8"	20 lbs.	95 lbs.	None
AI004EVR-211AB	Direct Bury, 4" BSPT, 6 gallons	17.8"	20 lbs.	95 lbs.	None
AI004EVR-210S	Double Wall, 4", 6 gallons	17.8"	20 lbs.	129 lbs.	Pull/Push
AI004EVR-210SB	Double Wall, 4" BSPT, 6 gallons	17.8"	20 lbs.	129 lbs.	Pull/Push
AI004EVR-211S	Double Wall, 4", 6 gallons	17.8"	20 lbs.	129 lbs.	None
AI004EVR-211SB	Double Wall, 4" BSPT, 6 gallons	17.8"	20 lbs.	129 lbs.	None

### Replacement Parts

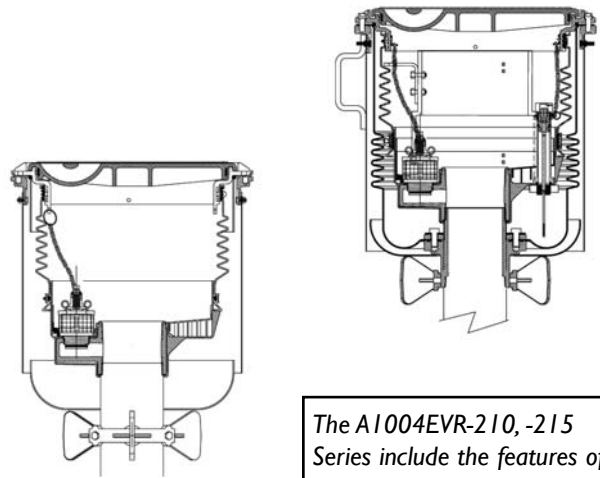
493806	Lid & Seal, Slimline
494118A	Pull/Push Drain Valve Kit w/Filter
494360EVR	-210A Primary Bellows Repair Kit
494466EVR	-211A Primary Bellows Repair Kit, No Drain
494350EVR	-210S Primary Bellows Repair Kit
494467EVR	-211S Primary Bellows Repair Kit, No Drain
494344EVR	-210S Secondary Bellows Repair Kit

### Tools

A0081-001C	Wrench, Adapter
A0081-001H	Wrench, Primary Base Removal

### Test Equipment for Double Wall Series

494343	Test Adapter
AI004-210TEST	Vacuum Apparatus w/Test Adapter



The AI004EVR-210, -215 Series include the features of the AI004-210, -215 Series as shown on pages 24-27. The EVR Series incorporate the 494118A Drain Assembly.

## AI004EVR-215 Series

Model No.	Description	Rim Diameter	Lid Weight	Total Weight	Drain Type
AI004EVR-215A	Direct Bury, 4", 15 gallons	22.6"	30 lbs.	126 lbs.	Pull/Push
AI004EVR-215S	Double Wall, 4", 15 gallons	22.6"	30 lbs.	146 lbs.	Pull/Push
AI004EVR-216A	Direct Bury, 4", 15 gallons	22.6"	30 lbs.	126 lbs.	None
AI004EVR-216S	Double Wall, 4", 15 gallons	22.6"	30 lbs.	146 lbs.	None

### Replacement Parts

494554	Lid & Seal, Slimline
494118A	Pull/Push Drain Valve Kit w/Filter
494602EVR	-215A Primary Bellows Repair Kit
494461EVR	-216A Primary Bellows Repair Kit, No Drain
494550EVR	-215S Primary Bellows Repair Kit
494660EVR	-216S Primary Bellows Repair Kit, No Drain
494552EVR	-215S Secondary Bellows Repair Kit

### Test Equipment for Double Wall Series

494343	Test Adapter
AI004-210TEST	Vacuum Apparatus w/Test Adapter

### Tools

A0081-001C	Wrench, Adapter
A0081-001H	Wrench, Primary Base Removal